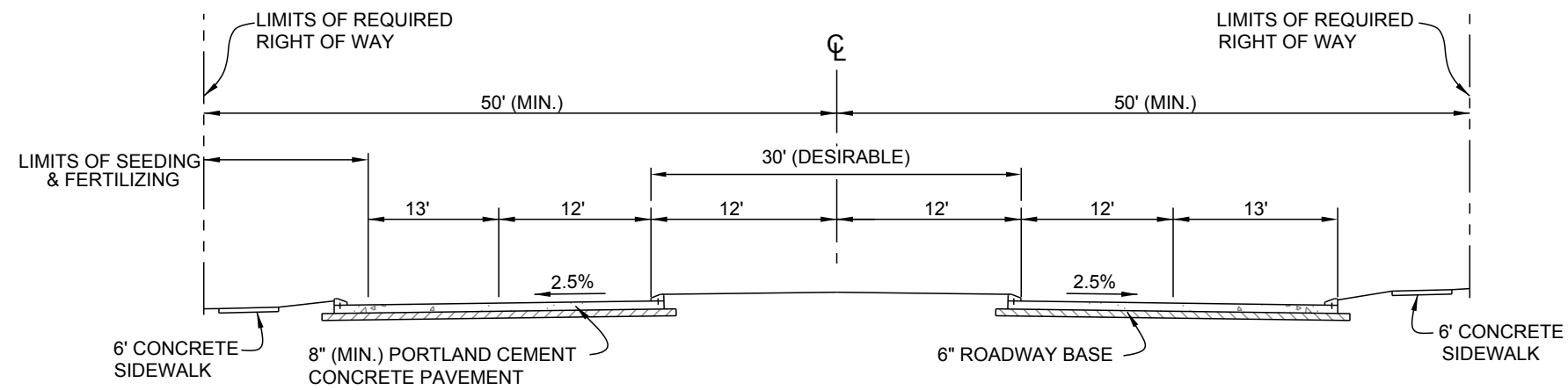


EXISTING TYPICAL SECTION



PROPOSED TYPICAL SECTION



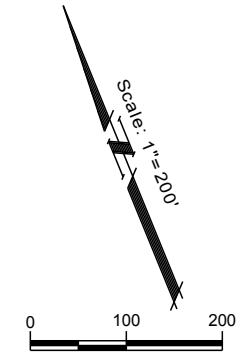
In association with:
 PBS&J
 GOTECH, Inc.
 Neel-Schaffer, Inc.
 Compliance Consultants, Inc.
 Jones Walker, LLP
 John C. Doiron
 MAI Appraisal Services
 Rampart Resources
 SSA Consultants, LLC

Project:
**South Harrell's Ferry
 Road-Seg 2
 (1100' East of Millerville
 Road to O'Neal Lane)**

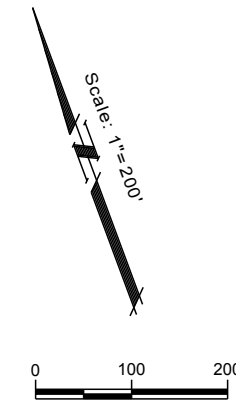
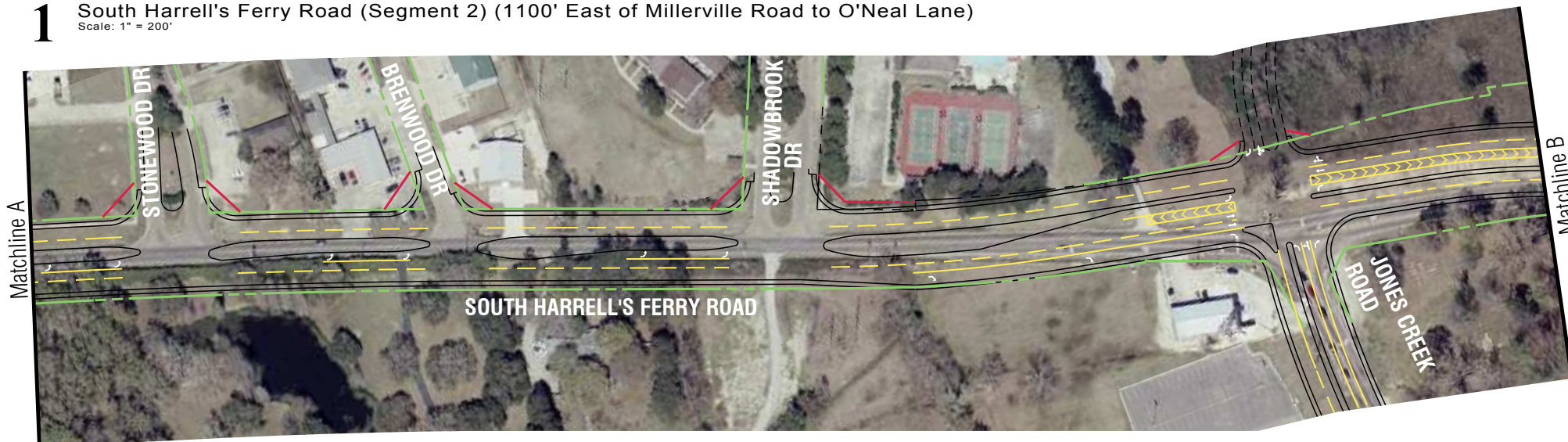
Sheet Title:
Exhibit A

Date: October 8, 2007
 Project Number: 25041.00
 Drawn By: GB
 Checked By: BD

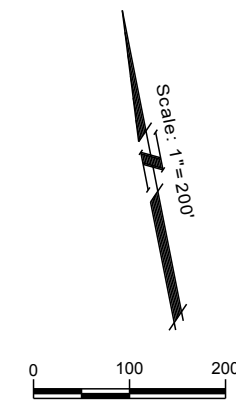
C-103



1 South Harrell's Ferry Road (Segment 2) (1100' East of Millerville Road to O'Neal Lane)
Scale: 1" = 200'



2 South Harrell's Ferry Road (Segment 2) (1100' East of Millerville Road to O'Neal Lane)
Scale: 1" = 200'



3 South Harrell's Ferry Road (Segment 2) (1100' East of Millerville Road to O'Neal Lane)
Scale: 1" = 200'

LEGEND

- EXISTING APPARENT R.O.W.
- PROPOSED R.O.W.
- TRAVEL LANES
- EDGE OF ROAD



In association with:
 PBS&J
 GOTECH, Inc.
 Neel-Schaffer, Inc.
 Compliance Consultants, Inc.
 Jones Walker, LLP
 John C. Doiron
 MAI Appraisal Services
 Rampart Resources
 SSA Consultants, LLC

Project:
**South Harrell's Ferry
 Road-Seg 2
 (1100' East of Millerville
 Road to O'Neal Lane)**

Exhibit B

Date: October 8, 2007
 Project Number: 25041.00
 Drawn By: GB
 Checked By: BD
 Sheet:

