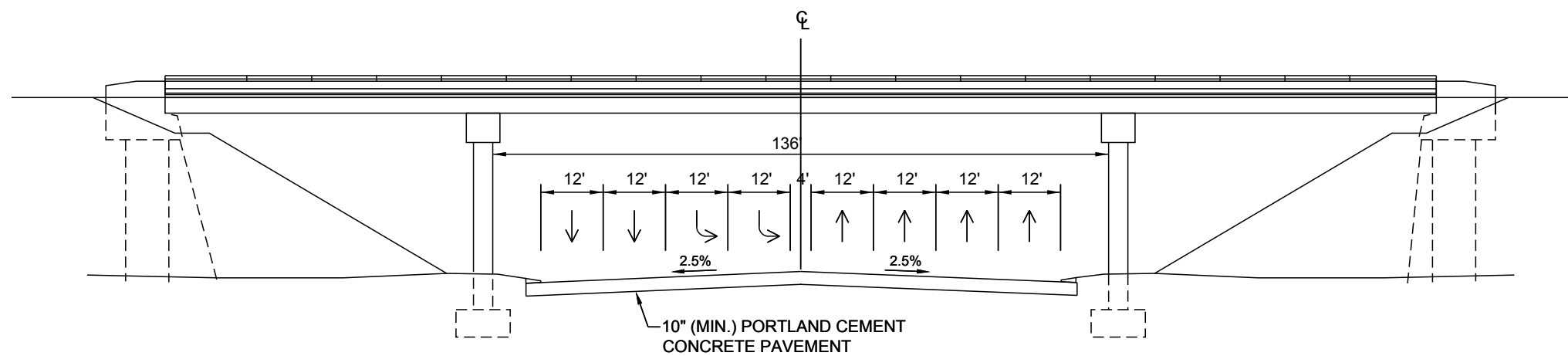


EXISTING TYPICAL SECTION



PROPOSED TYPICAL SECTION
(2 ADDITIONAL LEFT TURN LANES)



In association with:
 PBS&J
 GOTECH, Inc.
 Neel-Schaffer, Inc.
 Compliance Consultants, Inc.
 Jones Walker, LLP
 John C. Doiron
 MAI Appraisal Services
 Rampart Resources
 SSA Consultants, LLC

Project:

**EsSEN Lane at I-10
(Intersection Improvements)**

Sheet Title:

Exhibit A

Date: September 18, 2007

Project Number: 25041.00

Drawn By: MMG

Checked By: BP

Sheet:

G-107

1 of 1

Sheet No:

