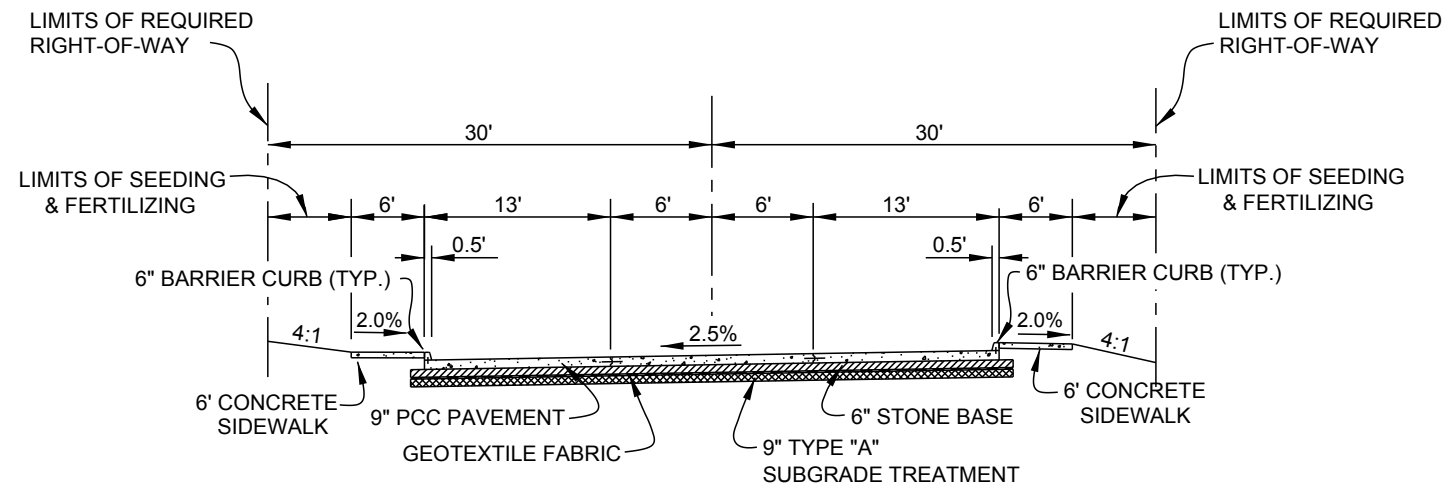


EXISTING TYPICAL SECTION



PROPOSED TYPICAL SECTION



In association with:
 PBS&J
 GOTECH, Inc.
 Neel-Schaffer, Inc.
 Compliance Consultants, Inc.
 Jones Walker, LLP
 John C. Doiron
 MAI Appraisal Services
 Rampart Resources
 SSA Consultants, LLC

Project:
**N. Harrell's Ferry Road
 (250' South of
 Old Hammond Hwy (LA 426)
 to 500' West of
 Sherwood Forest Blvd.)**

Sheet Title:
Exhibit A

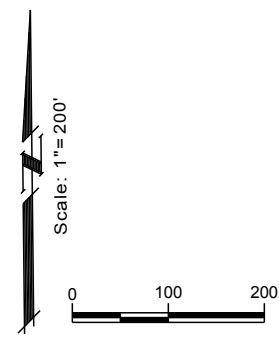
Date: February 12, 2008
 Project Number: 25041.00
 Drawn By: GB
 Checked By: MM

Sheet:




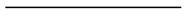
M-113



1 North Harrell's Ferry Road (250' South of Old Hammond Hwy. (LA 426) to 500' West of Sherwood Forest Blvd.)
Scale: 1" = 200'



LEGEND

	EXISTING APPARENT R.O.W.
	PROPOSED R.O.W.
	TRAVEL LANES
	EDGE OF ROAD



In association with:
 PBS&J
 GOTECH, Inc.
 Neel-Schaffer, Inc.
 Compliance Consultants, Inc.
 Jones Walker, LLP
 John C. Doiron
 MAI Appraisal Services
 Rampart Resources
 SSA Consultants, LLC

Project:
**N. Harrell's Ferry Road
 (250' South of
 Old Hammond Hwy (LA 426)
 to 500' West of
 Sherwood Forest Blvd.)**

EXHIBIT B

Date:	February 12, 2008
Project Number:	25041.00
Drawn By:	GB
Checked By:	MM
Sheet:	

M - 113

I:\Opavv\projects\25041\Projects\113 - N. Harrell's Ferry Road\Roadway Design\113 - Concept Plan\Drawings\080212 113 Concept Plan.dwg Feb 12, 2008 - 7:39am