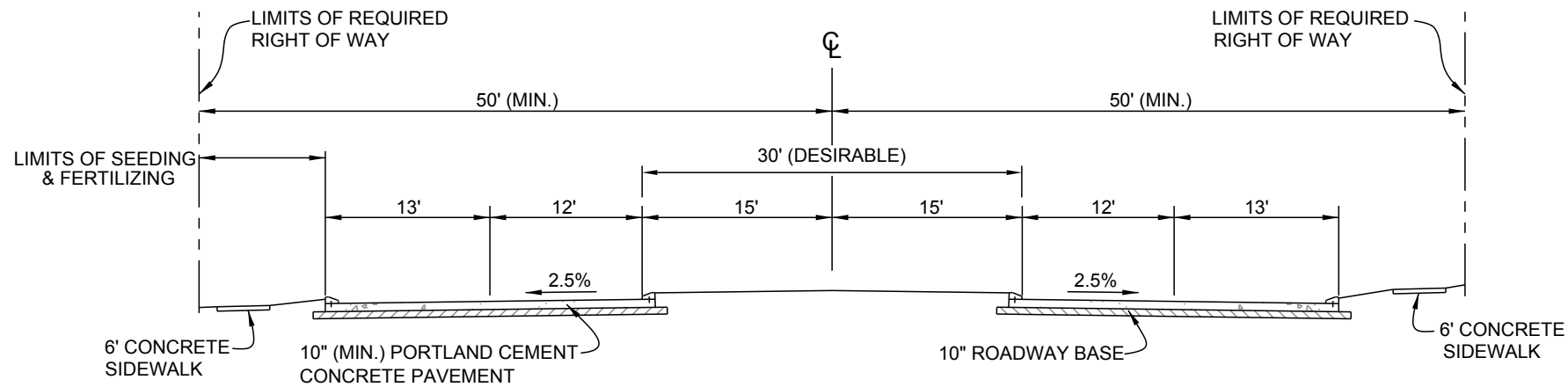


EXISTING TYPICAL SECTION



PROPOSED TYPICAL SECTION



In association with:
 PBS&J
 GOTECH, Inc.
 Neel-Schaffer, Inc.
 Compliance Consultants, Inc.
 Jones Walker, LLP
 John C. Doiron
 MAI Appraisal Services
 Rampart Resources
 SSA Consultants, LLC

Project:

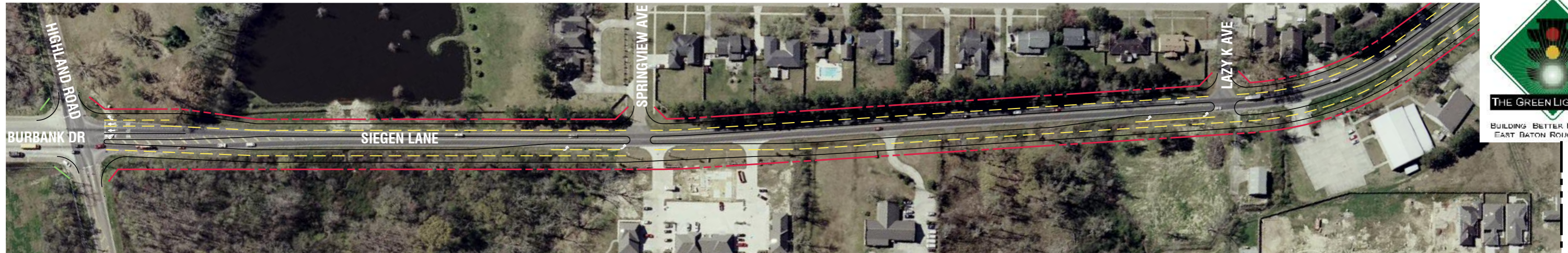
**Siegen Lane
 (Highland Rd to
 650' S Perkins Rd)**

Sheet Title:
Exhibit A

Date: September 6, 2006
 Project Number: 25041.00
 Drawn By: MMG
 Checked By: BP

X-124

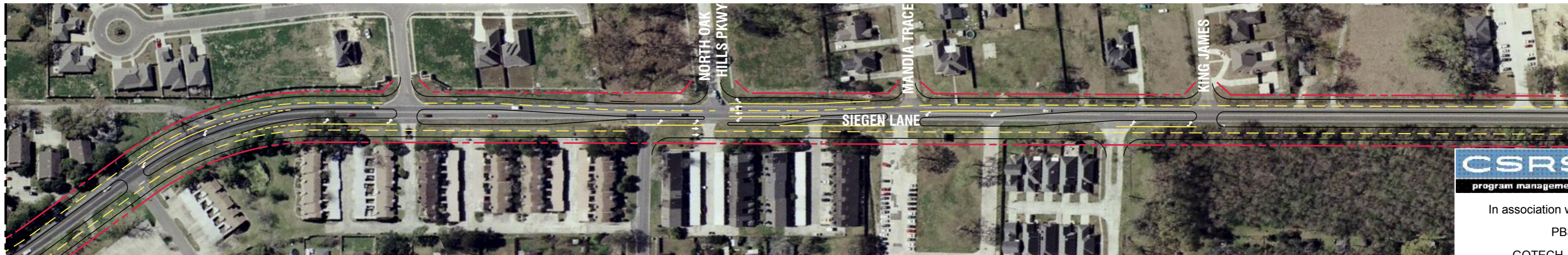
1 of 1 Sheet No:



1 Siegen Lane (Highland Road to 650' S of Perkins Rd)
Scale: 1" = 200'



Matchline A



2 Siegen Lane (Highland Road to 650' S of Perkins Rd)
Scale: 1" = 200'

Matchline A

Matchline B



In association with:
 PBS&J
 GOTECH, Inc.
 Neel-Schaffer, Inc.
 Compliance Consultants, Inc.
 Jones Walker, LLP
 John C. Doiron
 MAI Appraisal Services
 Rampart Resources
 SSA Consultants, LLC

Project:

**Siegen Lane
 (Highland Rd to
 650' S of Perkins Rd)**

Sheet Title:

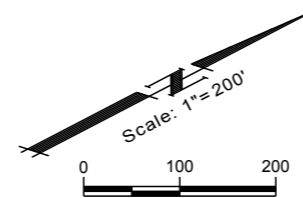
Exhibit B

Date: September 6, 2006
 Project Number: 25041.00
 Drawn By: MMG
 Checked By: BP
 Sheet:



3 Siegen Lane (Highland Road to 650' S of Perkins Rd)
Scale: 1" = 200'

Matchline B



LEGEND

- EXISTING APPARENT R.O.W.
- PROPOSED R.O.W.
- TRAVEL LANES
- EDGE OF ROAD

X - 124

1 of 2

Sheet No:

