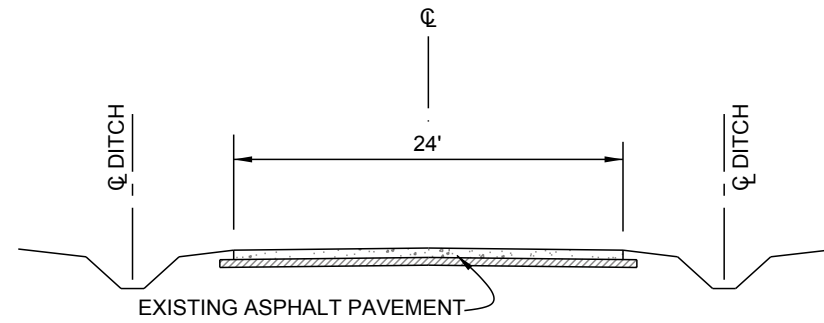


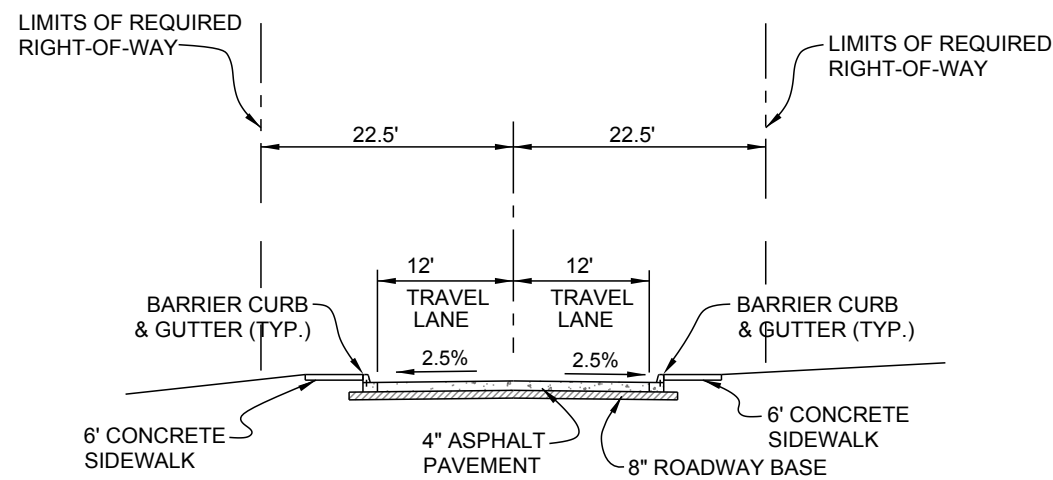


THE GREEN LIGHT PLAN

BUILDING BETTER ROADS FOR
EAST BATON ROUGE PARISH



EXISTING TYPICAL SECTION



PROPOSED TYPICAL SECTION



In association with:

PBS&J

GOTECH, Inc.

Neel-Schaffer, Inc.

Compliance Consultants, Inc.

Jones Walker, LLP

John C. Doiron
MAI Appraisal Services

Rampart Resources

SSA Consultants, LLC

Project:

**Elm Grove Garden
(600' North of Fairchild St.
to Rosenwald Road)**

Sheet Title:

Exhibit A

Date: September 14, 2007

Project Number: 25041.00

Drawn By: MMG

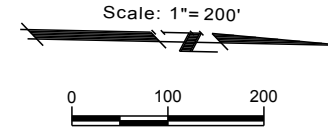
Checked By: MBS

Sheet:

Y - 125

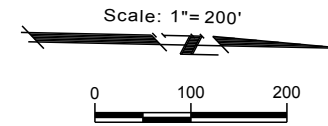
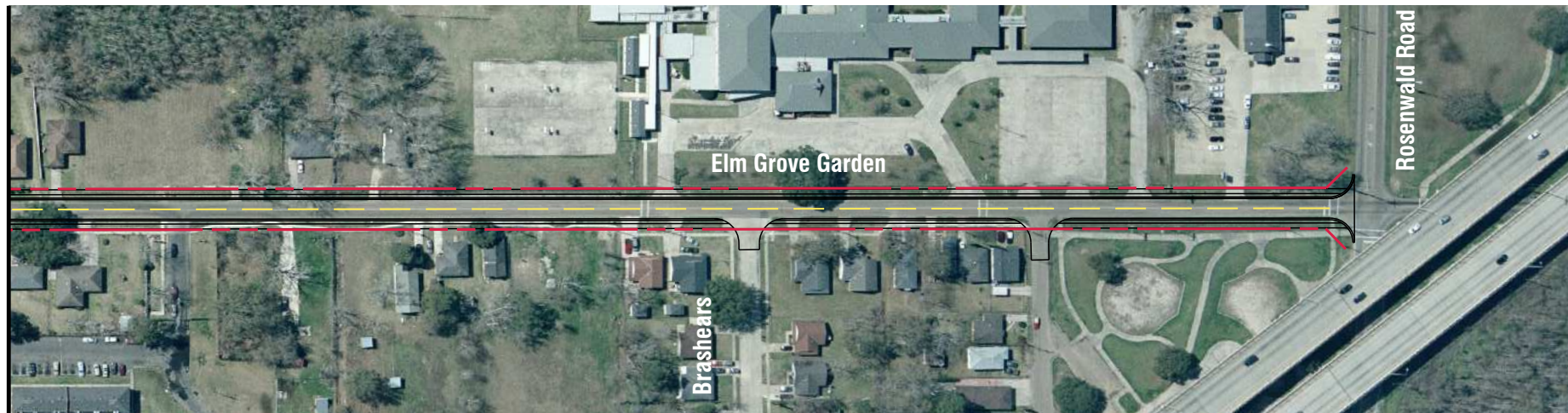
1 of 1 Sheet No.

\\G:\parr\Projects\25041\Projects\125 - Elm Grove Garden\Roadway Design\125 - Concept Plan\Drawings\060907 125 Typical.dwg Sep 14, 2007 - 10:53am



Matchline A

1 Elm Grove Garden (600' North of Fairchild Street to Rosenwald Road)
Scale: 1" = 200'



Matchline A

2 Elm Grove Garden (600' North of Fairchild Street to Rosenwald Road)
Scale: 1" = 200'



- In association with:
- PBS&J
 - GOTECH, Inc.
 - Neel-Schaffer, Inc.
 - Compliance Consultants, Inc.
 - Jones Walker, LLP
 - John C. Doiron
MAI Appraisal Services
 - Rampart Resources
 - SSA Consultants, LLC

Project:
**Elm Grove Garden
(600' North of Fairchild St.
to Rosenwald Rd.)**

Sheet Title:

EXHIBIT B

Date: September 14, 2007
Project Number: 25041.00
Drawn By: MMG
Checked By: MBS
Sheet:

LEGEND

- EXISTING APPARENT R.O.W.
- PROPOSED R.O.W.
- TRAVEL LANES
- EDGE OF ROAD / BIKE LANE

Y-125